

RAYSAN

Flexible Barrier
POLYGUARD
PuffyGuard

POLYGUARD ETA

IT IS A HIGH-PERFORMANCE COLUMN PROTECTOR DESIGNED TO MINIMIZE DAMAGE TO COLUMNS AND VEHICLES IN AREAS WITH FREQUENT FORKLIFT TRAFFIC, BOTH INDOORS AND OUTDOORS. ENGINEERED FOR MID TO HIGH-LEVEL IMPACTS, IT FEATURES AN ADAPTABLE DESIGN WITH ADDABLE SPACERS TO ACCOMMODATE VARIOUS COLUMN WIDTHS. ITS ADVANCED PROTECTIVE AIR CHAMBER CREATES A CUSHIONING EFFECT, EFFECTIVELY ABSORBING AND DISPERSING IMPACT FORCES. THE DURABLE, IMPACT-RESISTANT STRUCTURE ENSURES SUPERIOR PROTECTION, PREVENTING COSTLY DAMAGE AND EXTENDING THE LIFESPAN OF BOTH COLUMNS AND SURROUNDING EQUIPMENT.



STRONG AND LIGHTWEIGHT

Thanks to its unique chemical formula, our barrier surpasses steel barriers in both strength and weight. It is significantly lighter while maintaining its exceptional durability.

MODULAR

Thanks to its modular design, our barrier effortlessly adapts to the changing needs of your facility. This flexible solution is extremely easy to install, assemble, disassemble, relocate and organize.

NO CORROSION

Unlike steel barriers, our barriers are made of durable polymer materials, making them unaffected by environmental elements such as sunlight and rainwater.

NO PAINT AND MAINTENANCE NEEDED

Unlike Raysan's steel barriers that require regular painting and maintenance, our self-colored structure eliminates the need for these processes. Even if the barrier is scratched due to an impact, its surface retains its original color without any change.

ULTRAVIOLET RESISTANT

Our barriers are designed with exceptional resistance to UV radiation. Their chemical structure remains intact even after prolonged outdoor use, ensuring long-term durability.

ANTIBACTERIAL

Our barriers have an exceptional chemical formula that prevents them from having any chemical reaction with the substances they come into contact with.

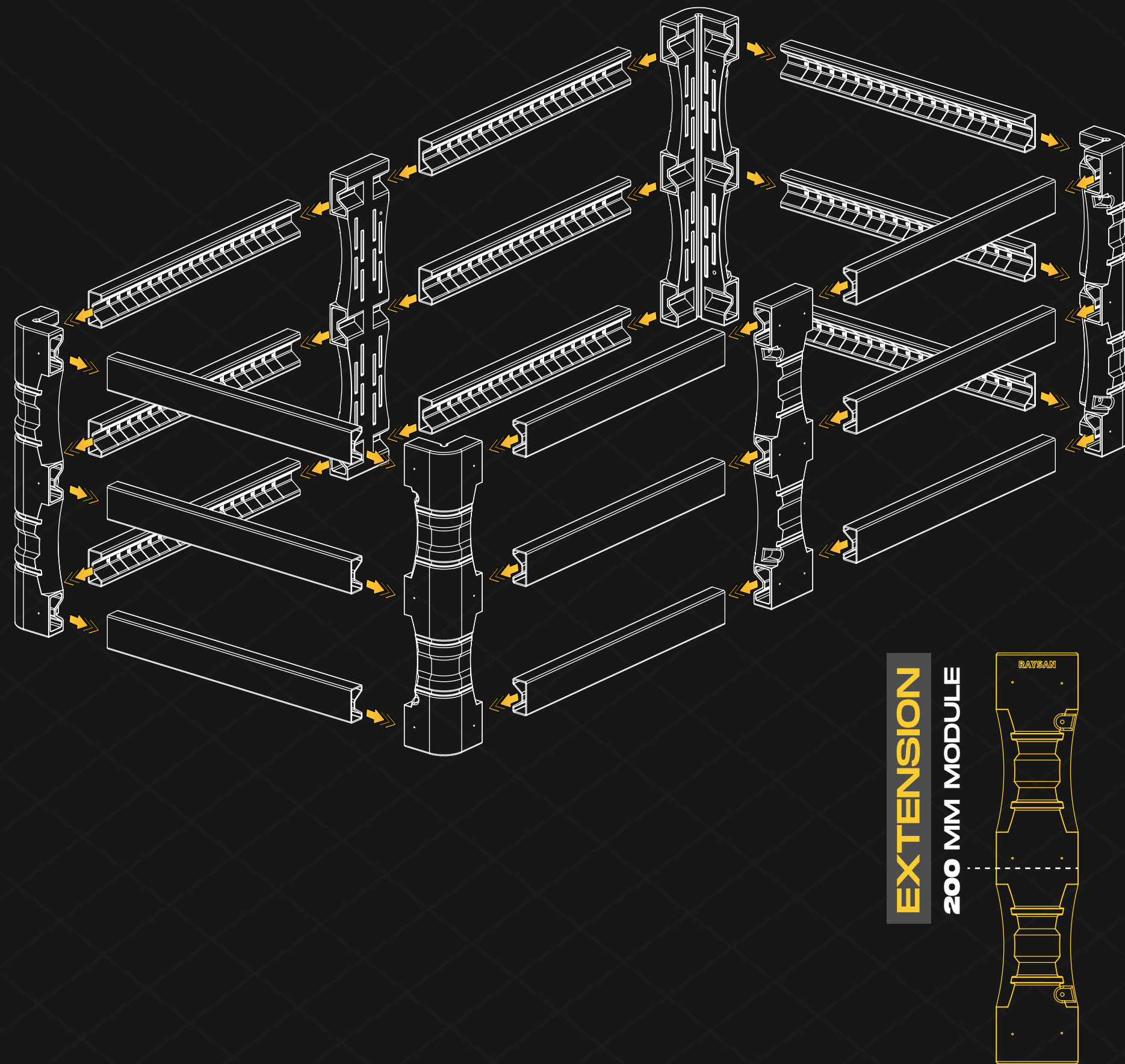
EXPERIENCE **UNPARALLELED STRENGTH** WITH OUR ADVANCED **POLYMER, CRAFTED FROM A PREMIUM BLEND OF SOPHISTICATED POLYOLEFINS AND RUBBER ADDITIVES. THIS EXCLUSIVE COMPOSITION DELIVERS UNMATCHED DURABILITY AND FLEXIBILITY. OUR CUTTING-EDGE ENGINEERING PROCESS REORIENTS THE MOLECULAR STRUCTURE DURING MANUFACTURING, ENDOWING THE BARRIER WITH A UNIQUE BUILT-IN MEMORY. THIS INNOVATIVE FEATURE ENSURES THAT THE BARRIER RECOVERS COMPLETELY AFTER IMPACTS, MAINTAINING PEAK PERFORMANCE AND RELIABILITY.**



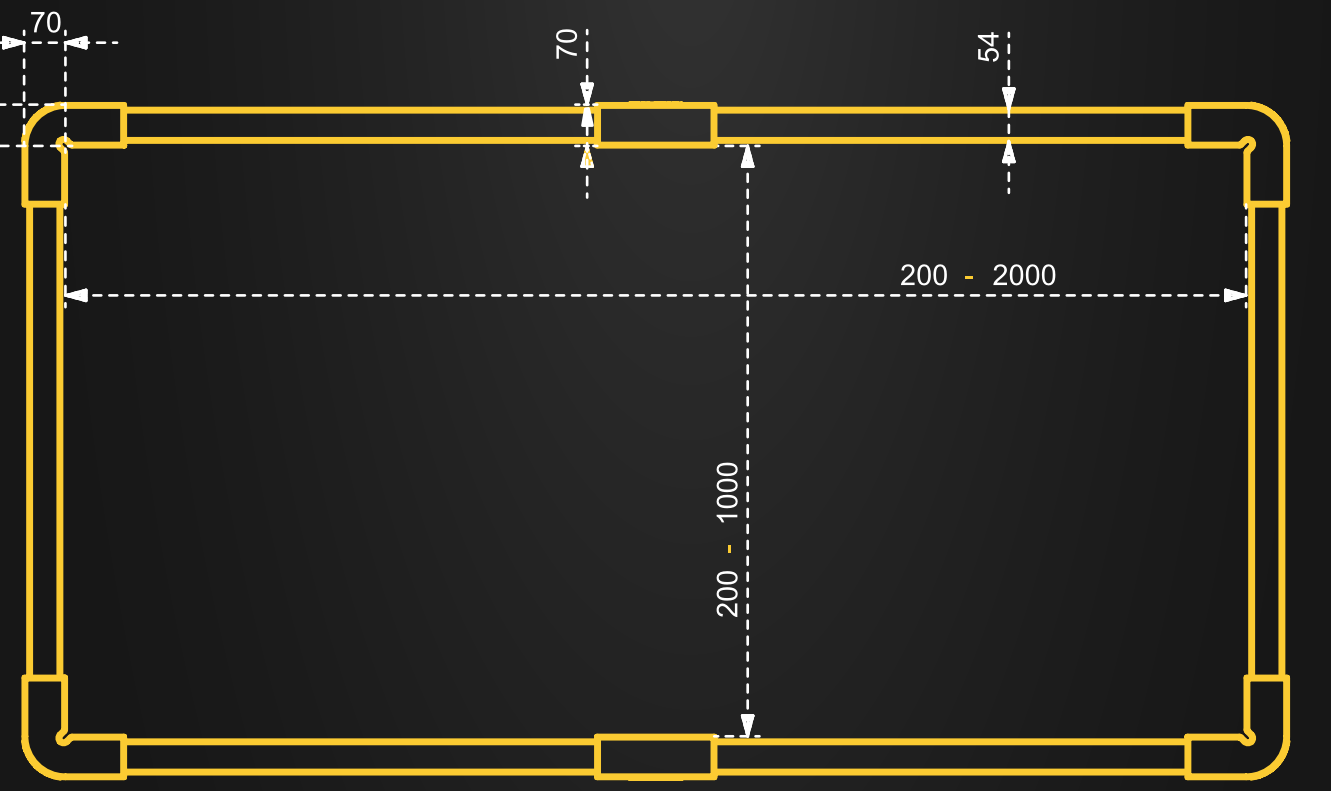
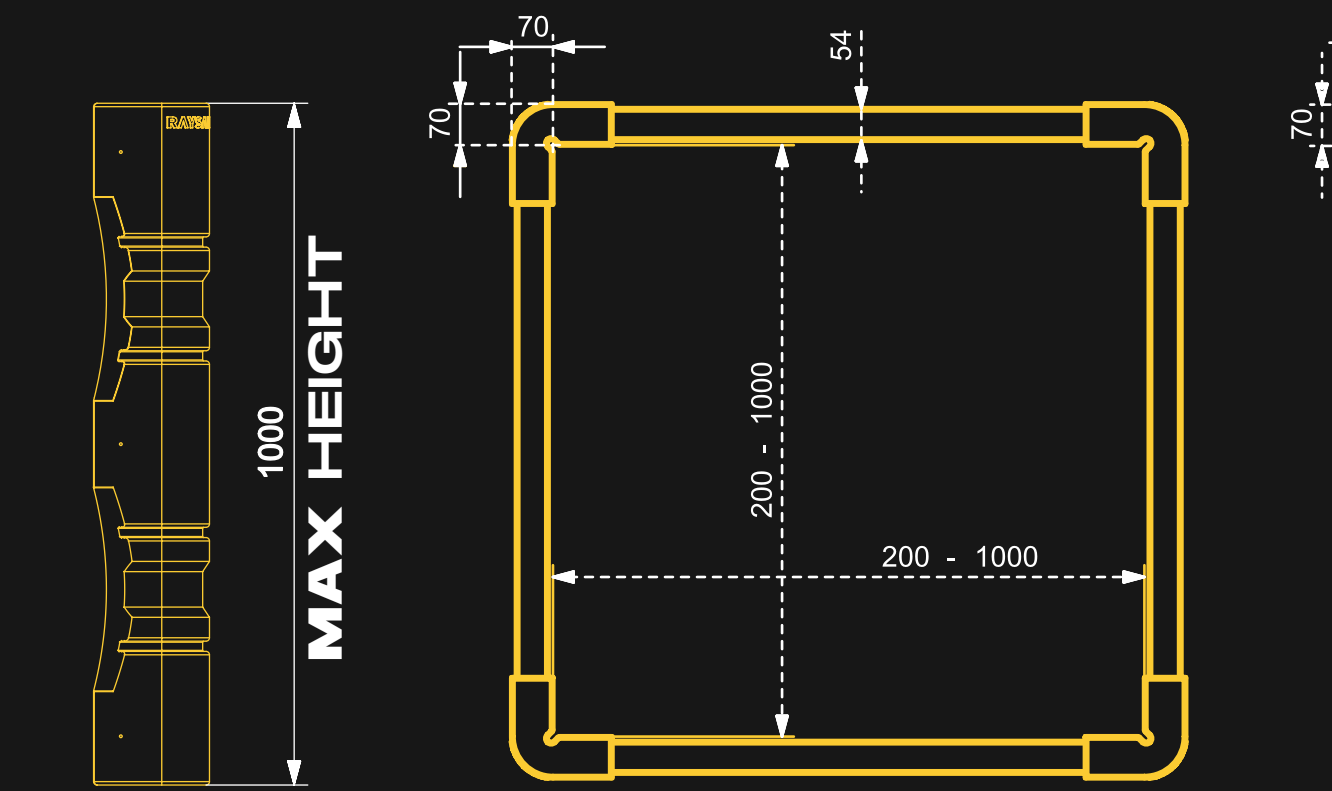
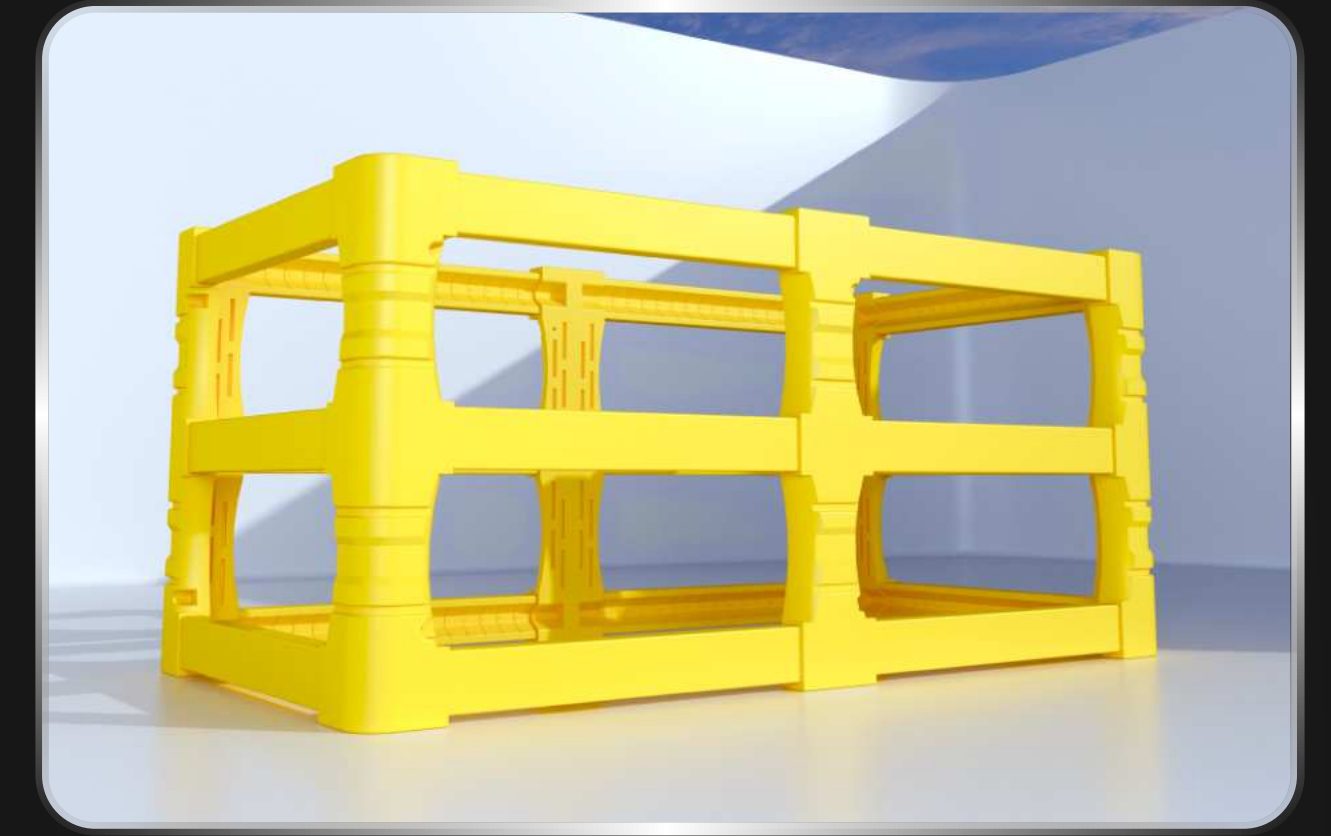
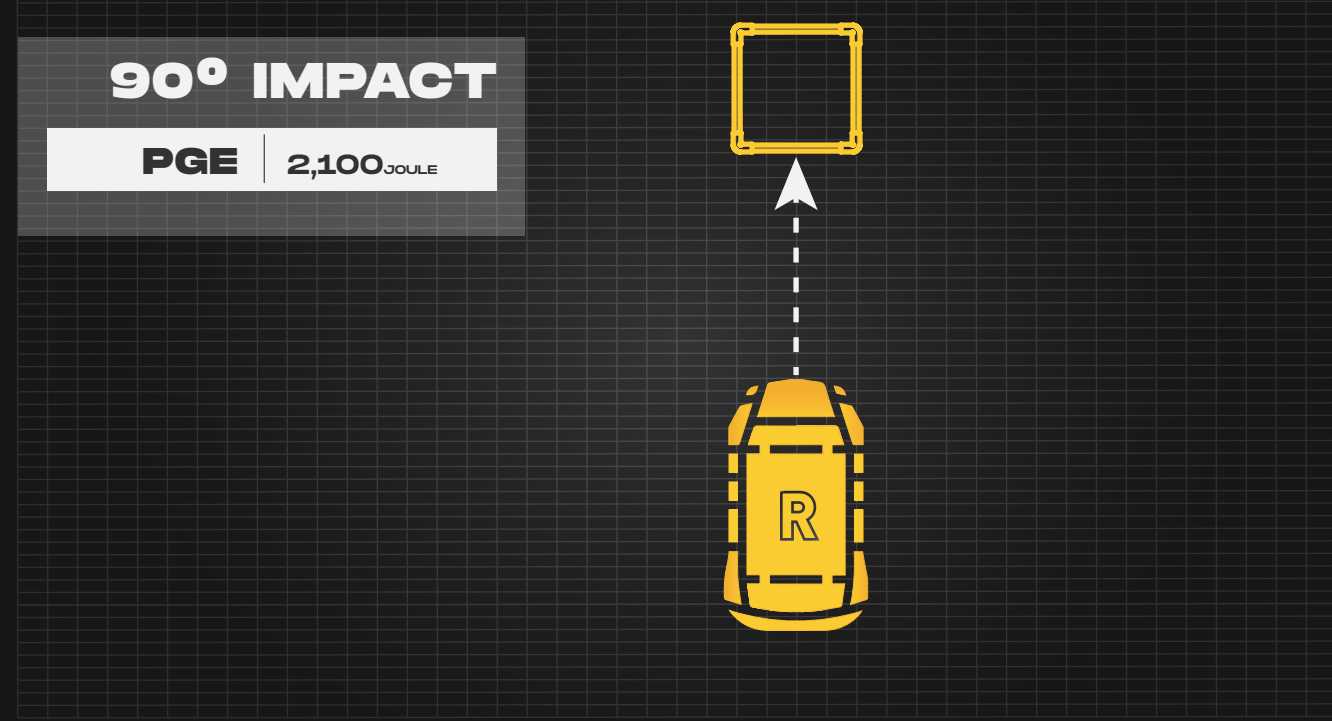
Column protection barriers are essential for preventing structural damage and costly repairs caused by forklift impacts. They enhance safety, reduce downtime, and improve operational efficiency by absorbing and dispersing impact forces. Investing in these barriers safeguards infrastructure, protects employees, and lowers maintenance costs, creating a safer and more cost-effective workplace.



TECHNICAL DRAWING



IMPACT ENERGY DETAILS



*Diameters are in mm

Water and Humidity
Ideal for both indoor and outdoor use or environments with frequent exposure to water and humidity.

SUITABLE FOR

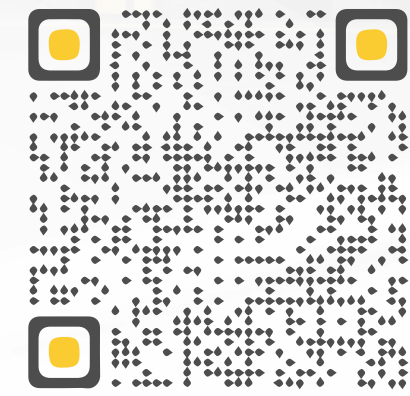


*Please note that the RAL and PANTONE colours listed are the closest match to standard RAYSAN colours, but may not be exact matches of the actual product colour and should be used for guidance only.

RAYSAN

Flexible Barrier POLYGUARD

FOLLOW US



DISCOVER MORE
about our innovative products,
exceptional services &
global network of dealers.

TÜVNORD

TÜV NORD CERT GmbH

ISO 9001

tuev-nord.de

RAYSAN

AS RAYSAN, WE ARE PROUD TO PIONEER THE FUTURE OF INDUSTRIAL SAFETY. WITH OUR STATE-OF-THE-ART FLEXIBLE PROTECTIVE BARRIERS AND SOLUTIONS, WE ARE AT THE FOREFRONT OF INNOVATION, PROTECTING WORKPLACES AROUND THE WORLD. OUR COMMITMENT TO EXCELLENCE AND UNWAVERING DEDICATION TO ADVANCING SAFETY STANDARDS HAS PROPELLED US TO THE TOP OF THE INDUSTRY.

YOUR **TRUSTED** PARTNER